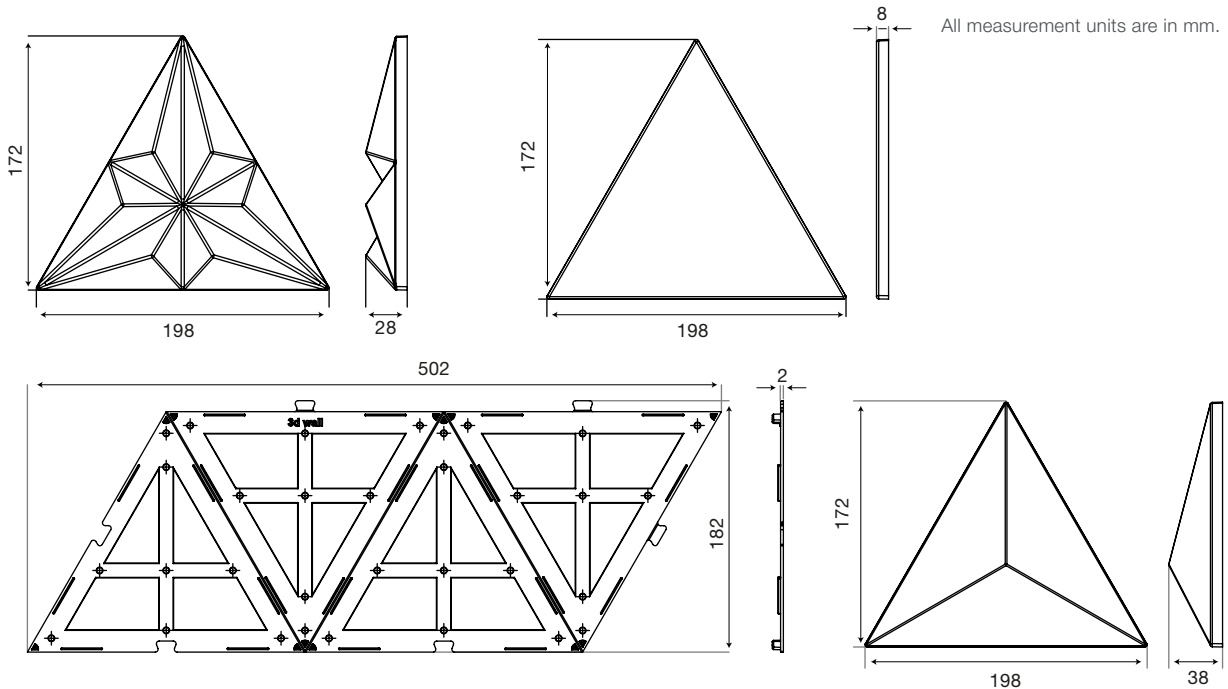


Technical Data

Model No	DMR006
Thickness and Size	Material thickness 1,5 mm
Dimensions	Highest point 38 mm
Weight	65 gr / Pcs - 3.900 kg/m ²
Colours	All ral code colours are available
Finishes Available	Matt or glossy paints available
Material	Strengthen, light and strong copolymer
Suitability	Interior / Exterior use for walls and ceilings



General Performance Data



Flammability
UL94 / V-0
(Optional)



Surface Quality
A1



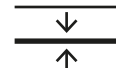
Flexural Strength
ISO178 / 63MPa



Size Accuracy
+/-0,05%



Temperature
Resistance
-40/+85 °C



Thickness
Accuracy
+/-0,005%