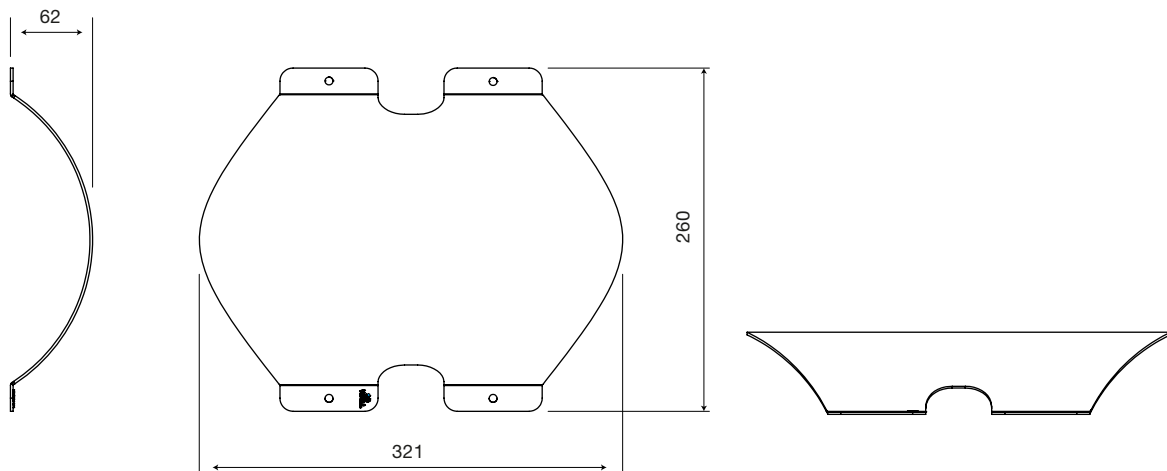


Technical Data

Model No	DMR001
Thickness and Size	Material thickness 2,5 mm
Dimensions	Highest point 62,5 mm
Weight	200 gr / Pcs- 4.800 kg/m ²
Colours	All ral code colours are available
Finishes Available	Matt or glossy paints available
Material	Strengthen, light and strong copolymer
Suitability	Interior / Exterior use for walls and ceilings

All measurement units are in mm.



General Performance Data



Flammability
UL94 / V-0
(Optional)



Surface Quality
A1



Flexural Strength
ISO178 / 63MPa



Size Accuracy
+/-0,05%



Temperature
Resistance
-40/+85 °C



Thickness
Accuracy
+/-0,005%